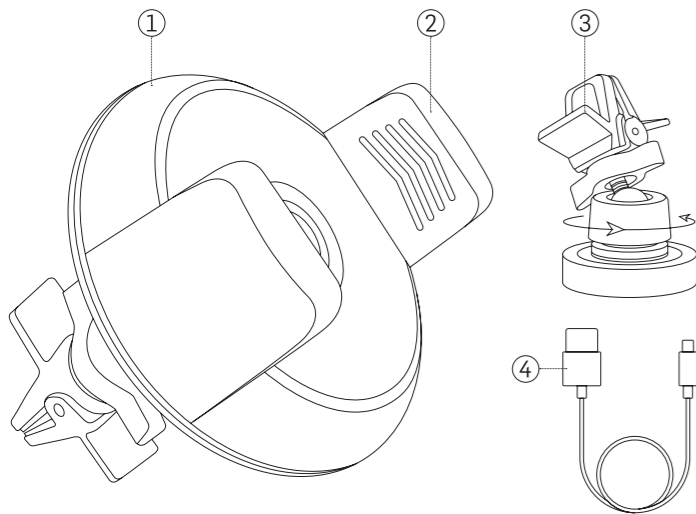


# WIRELESS CAR CHARGER

Charge your Qi-enabled device while driving



1. Charge pad
2. Smartphone Mount
3. Adjustable Clip
4. Micro USB cable

Please read through the following instructions before using your new charger.

## IMPORTANT SAFETY INFORMATION

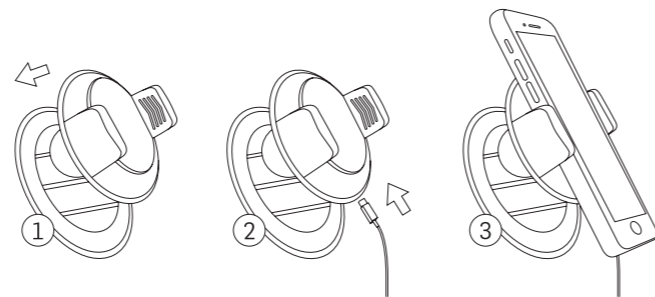
This charger has been designed with the highest concern for safety. However, any improper use of the charger has the potential for property damage or personal injury. To help ensure accident-free use, follow these guidelines:

1. Regularly inspect the charger for any damage.
2. If the charger has been damaged, stop use immediately.
3. Clip charger to a place on your dashboard that does not distract or disrupt your view.

## Important Information Before Use:

1. Charger should only be used for the intended purpose according to the instructions.
2. Do not submerge underwater. Do not expose to liquid, smoke, or steam.

## How to Use:



1. Clip wireless charger on to a convenient dashboard air vent.
2. Plug the micro USB cable into the charger pad as well as a USB adapter for your vehicle.  
**Tip:** If your car doesn't come equipped with a USB port, a USB cigarette lighter adapter is available.
3. Place your smartphone on the charger pad between the clips.

**Suggested uses:** By setting up your phone, you can answer calls hands-free and charge your smartphone at the same time.

## Compatible Qi-Enabled Smartphones

BRAND	SMARTPHONE VERSION
iPhone	8, 8+, X
Asus	PadFone S
Blackberry	Passport, PRIV, Z30
CASIO	G'z One Commando
Caterpillar	Cat S50, Cat S50C
DeWalt	MD501, MIL810G
Energy Sistem	Pro Qi
Fujitsu Arrows	F-09D, Kiss F-03D, Kiss F-03E, X F-10D
Google Nexus	4, 5, 6
HP Elite	X3
HTC	Droid DNA, Windows Phone BX
Kyocera	Brigadier, DuraForce, Hydro Elite, Torque G02, Torque KC-S701, Urbano L01, Urbano L03
LG	G2, G3, G6, G6 Plus, Lucid 2, Lucid 3, Optimus F5, Optimus G Pro, Optimus it L-05E, Spectrum 2, Vu 2, Vu 3, V30, V30 Plus
MTT	Master 4G
Microsoft Lumia 950	950, Dual Sim, XL, XL Dual Sim
Mlais	MX69W
Motorola	Droid Maxx, Droid Mini, Droid Turbo, Droid Turbo 2, Moto Maxx, Moto X Force
mPhone	8
Nokia Lumia	1520, 735, 830, 920, 928, 929 (Icon), 930
Panasonic Eluga	P P-03E, V P-06D, X P-02E
Philips	X723
Samsung Galaxy	S6, S6 Active, S6 Edge, S6 Edge Plus, S7, S7 Active, S7 Edge, S8, S8 Active, S8 Plus, Note 8
Samsung	Leader 8, W2016
Saygus	V SQUARED
Sharp Aqous	EX SH-04E, SH-07D, SH-13C, Slider SH-02D, Zeta SH-06E, Zeta SH-09D, Q-Pot SH 04D
Sharp	SH-05D
Sony Xperia	Z3V, Z4V
Techdy	Basic Bear, Bear Pro
Vertu	Aster, Signature Touch
YotaPhone	2
ZTE	Telstra Tough Max

## Technical Specifications

Product Dimensions	80x70x165mm
Product Weight	200g
Input Voltage	5V-2A
Charging Power	Maximum 5w
Wireless Output	5V1A
Wireless Charging Efficiency	73%
Wireless Charging Distance	Max. distance = 10mm
Overheating Protection	60°C or higher shuts down charger automatically
Over-Current Protection	When current is greater than 1.8 A the charger shuts down automatically.
Material	ABS Plastic